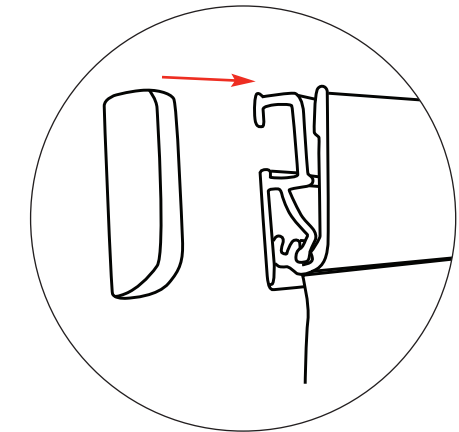
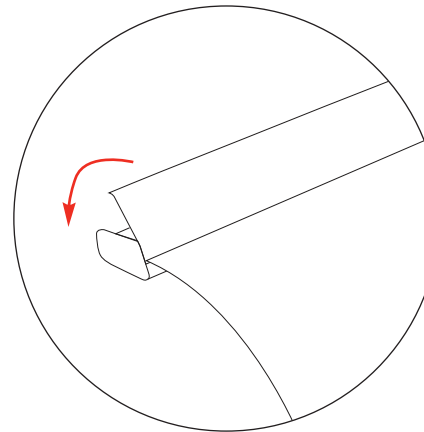
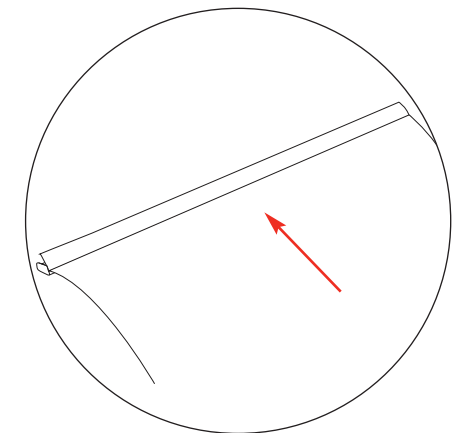
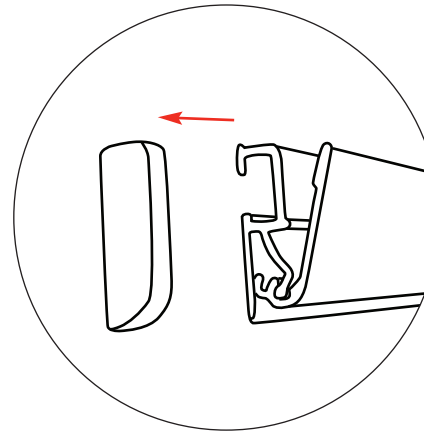
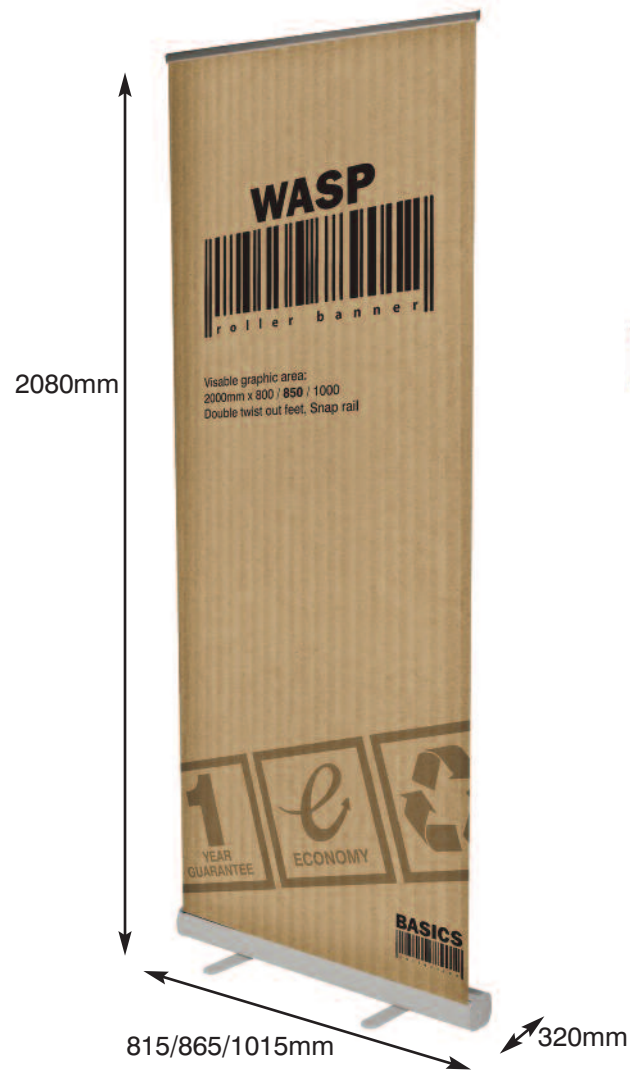
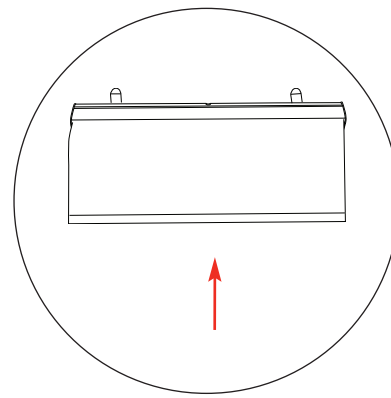
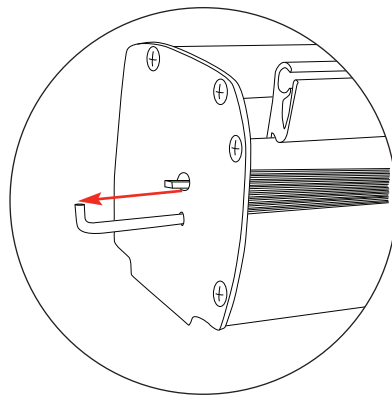
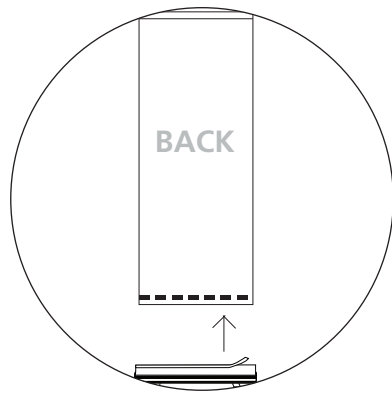


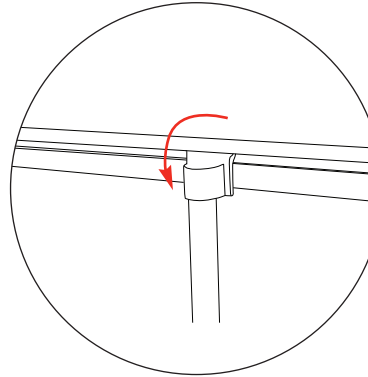
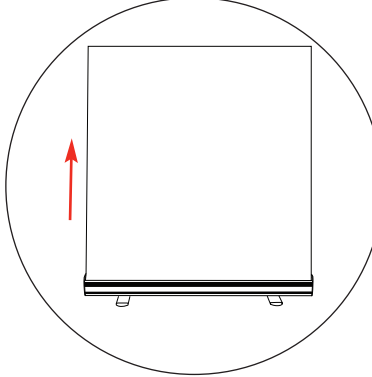
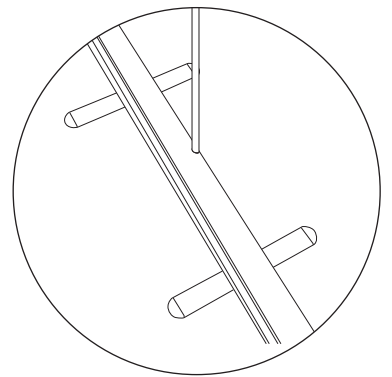
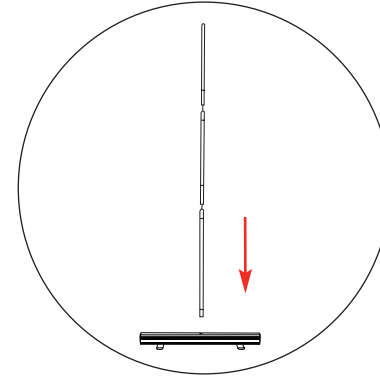
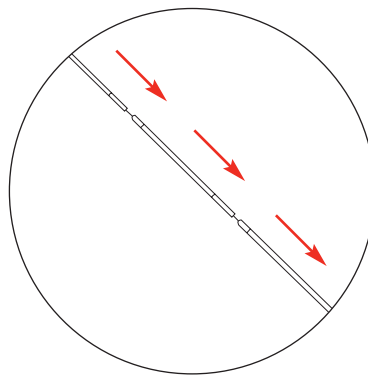
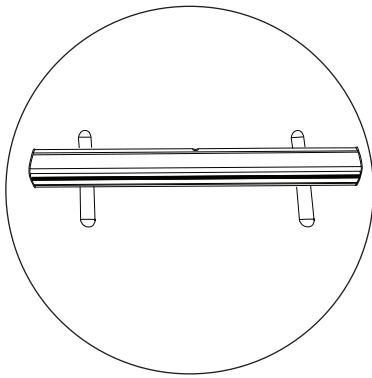
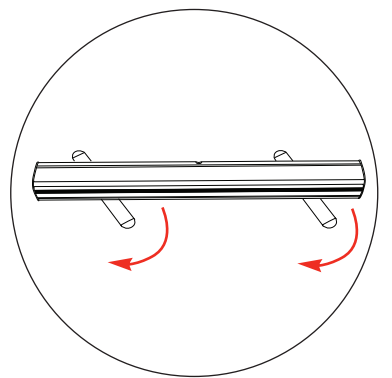
Top Rail Attachment



Bottom Graphic Attachment



Assembly



We are continually improving and modifying our product range and reserve the right to vary the specifications without prior notice. All dimensions and weights quoted are approximate and we accept no responsibility for variance. E&OE.